



2-way Butterfly Valves flanged

DN50...500

For Open/Close or modulating control of cold and hot water.

Applications

Typical applications include chiller isolation, cooling tower isolation, change-over systems, air handling unit, fan coil control, bypass and process control.



Technical data

Flow medium	Nylon coated disc: Cold and hot water SS304 disc: cold and hot water. Max. 50% Glycol
Temperature of medium	Nylon-coated disc: 0...+95°C SS304 disc: -20...+100°C
Nominal pressure	1600kPa (PN16)
Flow characteristic	Modified equal-percentage
Rangeability	10:1 (for 30°... 70° range)
Leakage rate	Rate A Bubble Tight (ISO 5208)
Pipe connections	ISO 7005.2, AS2129 PN10/16, Table E for wafer (DN50..300) PN16 for wafer (DN350...500) PN16 for lug (DN50...500)
Max. Close-off pressure	1200kPa
Installation position	Vertical to horizontal
Maintenance	Maintenance-free
Angle of rotation	90° rotation
Valve Material	
Body	Ductile cast iron GGG40 (DN50...500)
Disc	Nylon coated ductile cast iron disc / Stainless steel 304 disc
Seat	EPDM
Shaft	Stainless steel 416
Bushing	RPTFE

Ordering sample

BU6 125 L / GR230A-7

Actuator:	GR230A-7 actuators, Open/Close, AC 100...240V
Default:	Only SY Actuators and its Butterfly Valves are pre-calibrated and pre-assembled in the factory
Package:	"I" Valve and actuator supplied separately on request
Disc and flange* pattern:	L(X)-Lug, Nylon coated disc default(X)-Wafer, Nylon coated disc LS(X)-Lug, stainless steel disc S(X)-Wafer, stainless steel disc
Size:	DN125
Butterfly Valve:	BU6.. Low torque series

* BU6200X/LX, BU6200SX/LSX is utilised at 600kPa only.

Product features

The modified equal-percentage flow characteristic and the large Kv values provide an economical control valve solution.

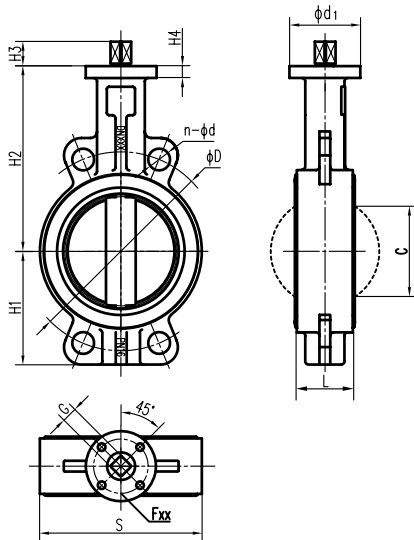
Mode of operation

The BU6.. series Butterfly Valves are operated by General Rotary Actuators, Mechanical Fail-Safe Rotary Actuators or SY Large Torque Multi-function Actuators are available. Select the actuators according to required Close-off pressure and HVAC condition of installation. The actuators are controlled by a standard Open/Close or modulating control system and rotate the disc of the valve to the position dictated by the control signal.

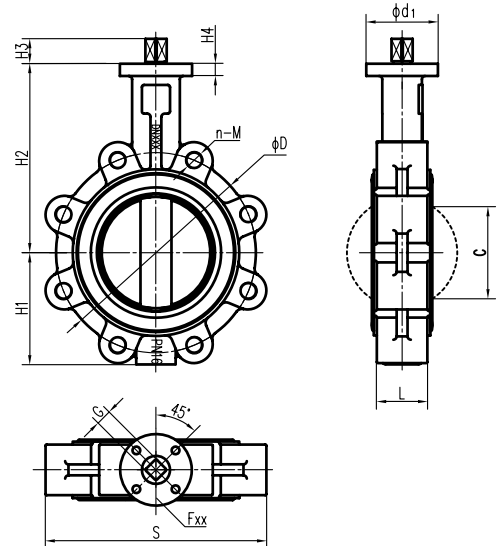
Manual operation

The manual operation is available by using a lever with manual override button of SR..., GR..., DR... actuator pressed or turning a handwheel of actuators.

Wafer connection



Lug connection



Dimensions of PN10/16, Table E wafer connection Butterfly Valve [mm]

Type	Size	Top flange	L	C	S	H1	H2	H3	H4	G	ød1	PN10		PN16		Table E		NC BFV (kg)	SS BFV (kg)
												øD	n-ød	øD	n-ød	øD	n-ød		
BU650..	DN50	F05	43	33	118	65	130	13	9	14	65	125	4-18	125	4-18	114	4-18	2.0	2.0
BU665..	DN65	F05	46	48	135	71	143	13	9	14	65	145	4-18	145	4-18	127	4-18	2.4	2.4
BU680..	DN80	F05	46	66	149	92	155	13	9	14	65	160	8-18	160	8-18	146	4-18	2.8	2.7
BU6100..	DN100	F05	52	91	150	104	170	13	11	14	65	180	8-18	180	8-18	178	8-18	4.3	4.1
BU6125..	DN125	F07	56	115	176	118	190	19	13	17	90	210	8-18	210	8-18	210	8-18	6.6	6.2
BU6150..	DN150	F07	56	142	204	132	210	19	13	17	90	240	8-22	240	8-22	235	8-22	7.7	7.6
BU6200..	DN200	F07	60	194	260	167	243	19	15	17	125	295	8-22	295	12-22	292	8-22	13.3	12.0
BU6250..	DN250	F10	68	245	316	198	282	24	17	22	125	350	12-22	355	12-26	356	12-22	20.9	19.7
BU6300..	DN300	F10	78	294	372	231	310	24	17	22	125	400	12-22	410	12-26	406	12-26	28.9	31.0
BU6350..	DN350	F10	78	328	422	256	345	24	20	22	125	-	-	470	16-26	-	-	42.5	41.1
BU6400..	DN400	F14	102	374	473	294	377	38	21	36	175	-	-	525	16-30	-	-	63.7	65.9
BU6450..	DN450	F14	114	425	526	337	422	38	21	36	175	-	-	585	20-30	-	-	80.1	82.2
BU6500..	DN500	F14	127	472	582	375	466	38	22	36	210	-	-	650	20-33	-	-	107.5	104.4

Dimensions of PN16 lug connection Butterfly Valve [mm]

Type	Size	Top flange	L	C	S	H1	H2	H3	H4	G	ød1	PN16		NC BFV (kg)	SS BFV (kg)
												øD	n-M		
BU650L..	DN50	F05	43	33	115	65	130	13	9	14	65	125	4-M16	2.5	2.5
BU665L..	DN65	F05	46	48	132	71	143	13	9	14	65	145	4-M16	3.1	3.1
BU680L..	DN80	F05	46	66	175	92	155	13	9	14	65	160	8-M16	4.2	4.1
BU6100L..	DN100	F05	52	91	195	104	170	13	11	14	65	180	8-M16	5.9	5.7
BU6125L..	DN125	F07	56	115	240	118	190	19	13	17	90	210	8-M16	8.1	7.8
BU6150L..	DN150	F07	56	142	257	132	210	19	13	17	90	240	8-M20	9.7	9.1
BU6200L..	DN200	F07	60	194	318	167	243	19	15	17	125	295	12-M20	16.8	15.5
BU6250L..	DN250	F10	68	245	383	198	282	24	17	22	125	355	12-M24	26.1	23.9
BU6300L..	DN300	F10	78	294	435	231	310	24	17	22	125	410	12-M24	34.9	37.0
BU6350L..	DN350	F10	78	328	512	256	345	24	20	22	125	470	16-M24	54.5	53.1
BU6400L..	DN400	F14	102	374	590	294	377	38	21	36	175	525	16-M27	81.7	83.9
BU6450L..	DN450	F14	114	425	640	337	422	38	21	36	175	585	20-M27	108.1	110.2
BU6500L..	DN500	F14	127	472	703	375	466	38	22	36	210	650	20-M30	153.3	154.1