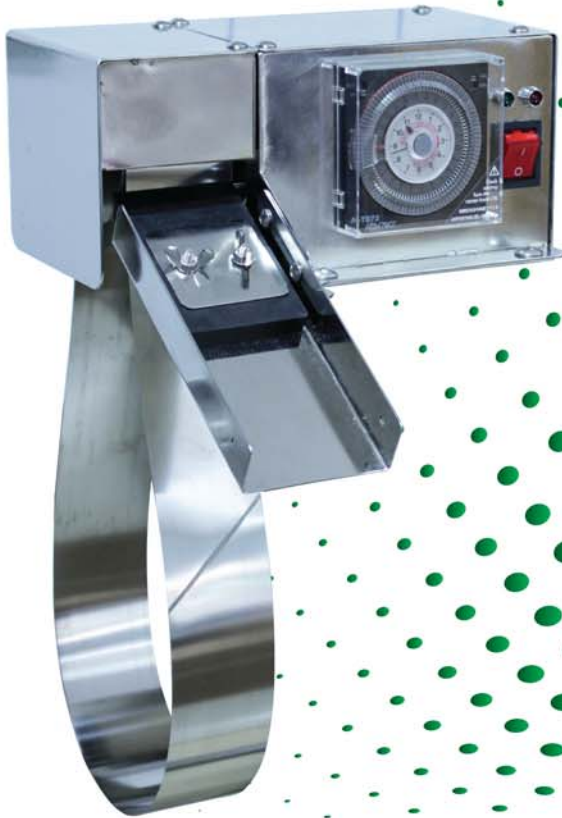


## NC-40S-II : Oil Skimmer Stainless Steel Belt



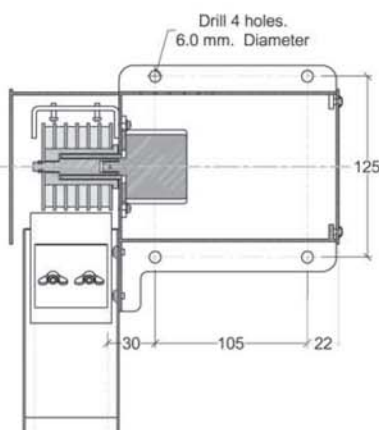
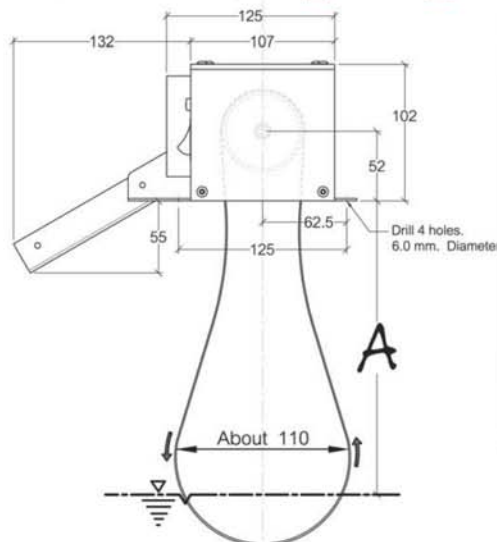
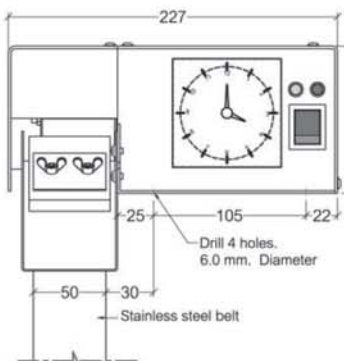
For removing Tramp Oil from Water and Industrial Fluid.

- CNC Machine and Machining Machine.
- Washing Machine.
- High Temp and High pH fluid application.



### >>> TECHNICAL DATA

Input Voltage : 220 V/50 Hz.  
Power consumption : 6 W.  
Stainless Steel Housing size :  
227mm X 132mm X 102mm.  
Drive Roller : Magnetic.  
Belt Material : SUS#401.  
Belt Width : 50mm.  
Belt Long (std) :  
800mm. ,Reach(A) : 250mm.  
Oil Removal : Up to 5L/Hr.  
Weight : 3.5kg.



### >>> OPTION



1. Hose Connector Tray.



2. Clamping Stand.



3. High up Stand.